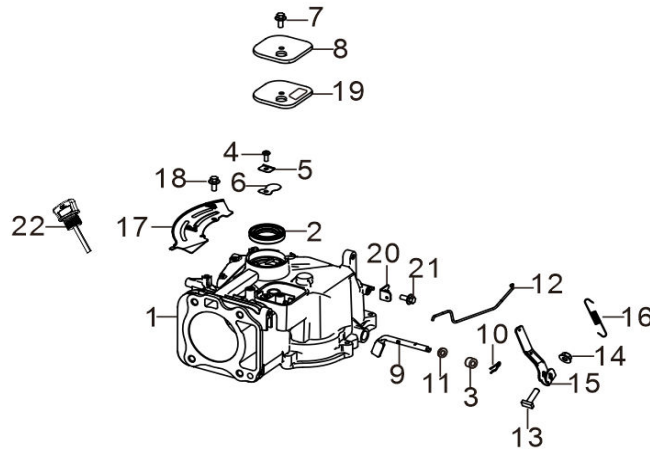


FA41SP

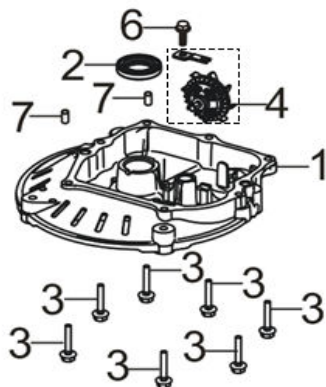
割草机 图册

FIG.1 CRANKCASE. / GEAR ASSY, GOVERNOR. (E01)



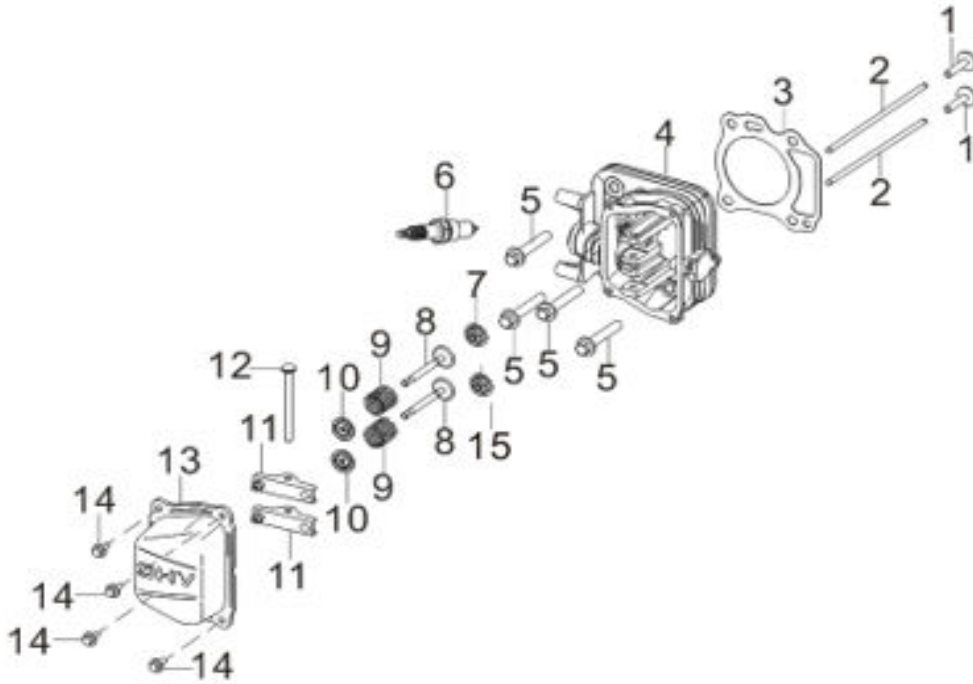
REF.NO. 序号	PART NO 物料代码	DESCRIPTION 英文名	Q'TY 数量	包装数	备注
E01-1	11310-Z3E0412-00A0	Crankcase Subassembly.	1	1	
E01-2	90682-Z240110-00A0	Seal, Oil	1	1	
E01-3	90682-Z030210-00A0	Seal, Oil	1	1	
E01-4	90103-0410-51A0	Cross-Recessed Pan Head Screw	1	1	
E01-5	11337-Z2P0110-00A0	Breath Sheet Stop Plate	1	1	
E01-6	11321-Z2P0110-00A0	Breath Sheet	1	1	
E01-7	90007-0512-A1A0	Bolt	1	1	
E01-8	11333-Z2P0110-00A0	Plate, Breath Groove Cover	1	1	
E01-9	16061-Z2P0110-00A0	Arm, Governor	1	1	
E01-10	90501-Z010110-00A0	Cotter Pin	1	1	
E01-11	90412-Z870210-00A0	Flat Washer	1	1	
E01-12	16062-Z2P0110-00A0	Rod, Governor	1	1	
E01-13	16072-Z010110-00A0	Bolt, Governor Support	1	1	
E01-14	90305-0600-31A0	Hexagon Nut With Flange	1	1	
E01-15	16070-Z2P0110-00A0	Governor Bracket Subassembly	1	1	
E01-16	16063-Z2P0110-00A0	Spring, Governor	1	1	
E01-17	19308-Z2P0110-00A0	Body Left Shield	1	1	
E01-18	90007-0512-A1A0	Bolt	1	1	
E01-19	11332-Z2P0111-00A0	Gasket, Breath Groove	1	1	
E01-20	16561-Z2P0110-00A0	Throttle Operating Bottom Plate	1	1	
E01-21	90007-0512-A1A0	Bolt	1	1	
E01-22	15010-Z2P0110-Q2A0	Dipstick, Oil	1	1	

FIG.2 COVER SUBASSEMBLY, CRANKCASE (E02)



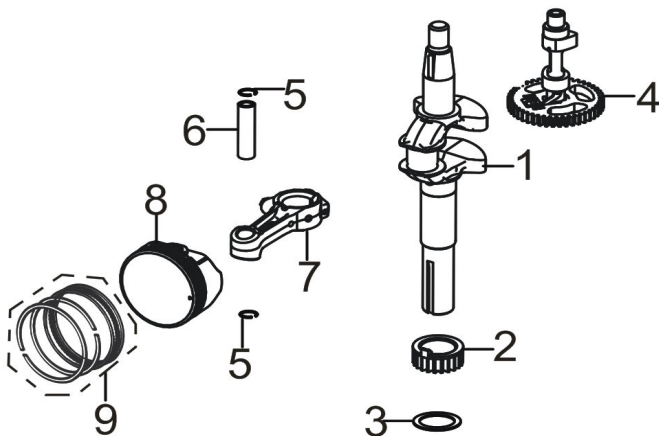
REF.NO. 序号	PART NO 物料代码	DESCRIPTION 英文名	Q'TY 数量	包装数	备注
E02-1	11411-Z2P0112-00A0	Cover, Crankcase	1	1	
E02-2	90682-Z030320-00A0	Seal, Oil	1	1	
E02-3	90001-0630-01A0	Bolt	7	1	
E02-4	16400-Z2P0210-00A0	Gear Assy, Governor	1	1	
E02-6	90001-0614-01A0	Bolt	1	1	
E02-7	90502-0812-00A0	Position Pin	2	1	

**FIG.3 HEAD SUBASSEMBLY, CYLINDER / PLUG,SPARK (E03)**



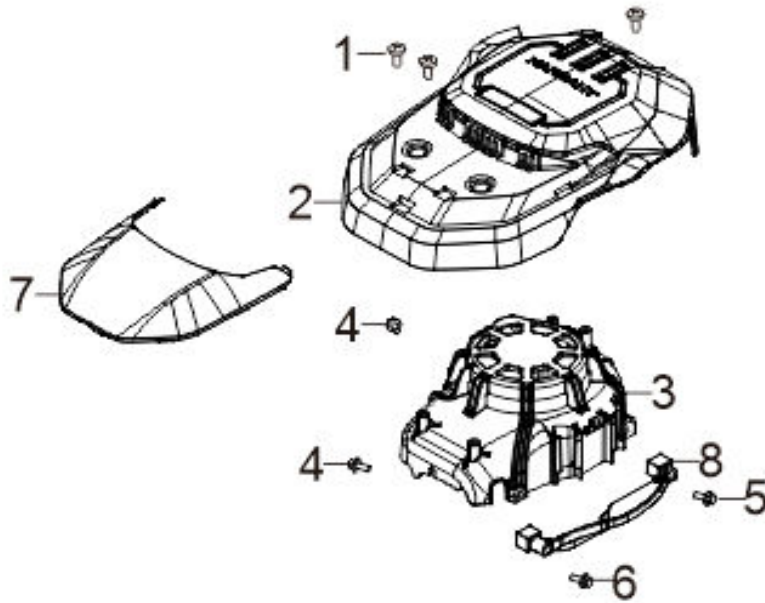
REF.NO. 序号	PART NO 物料代码	DESCRIPTION 英文名	Q'TY 数量	包装数	备注
E03-1	14081-Z2P0110-00A0	Tappet, Valve	2	1	
E03-2	14071-Z2P0110-00A0	Lifter, Valve	2	1	
E03-3	12131-Z3E0210-00A0	Gasket, Cylinder Head	1	1	
E03-4	12140-Z3E0214-00A0	Head Subassembly, Cylinder	1	1	
E03-5	90001-0845-01A0	Bolt	4	1	
E03-6	30010-Z120110-00A1	Plug, Spark	1	1	
E03-7	12101-Z010110-00A0	Guide, Seal	1	1	
E03-8	12110-Z2P0110-00A0	Valves Set	2	1	
E03-9	12103-Z030110-00A0	Spring, Valve	2	1	
E03-10	12112-Z010110-00A0	Seat, Valve Spring	2	1	
E03-11	14310-Z2P0110-00A0	Rocker Subassembly, Valve	2	1	
E03-12	14330-Z2P0110-00A0	Shaft, Valve Rocker	1	1	
E03-13	12411-Z2P0110-00A0	Cover, Cylinder Head	1	1	
E03-14	90007-0512-A1A0	Bolt	4	1	
E03-15	12101-Z030111-00A0	Guide, Seal	1	1	

**FIG.4 ROD,CRANKSHAFT CONNETING (E04)**



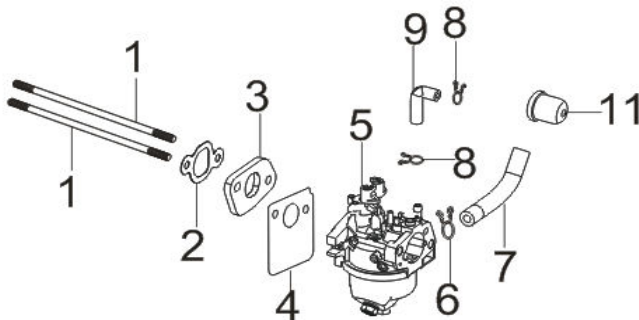
REF.NO. 序号	PART NO 物料代码	DESCRIPTION 英文名	Q'TY 数量	包装数	备注
E04-1	13300-Z2P0910-00A0	Crankshaft Assy.	1	1	
E04-2	14014-Z2P0211-00A0	Gear, Timing Drive	1	1	
E04-3	90408-Z030310-00A0	Flat Washer	1	1	
E04-4	14200-Z2P0210-00A0	Camshaft Assy.	1	1	
E04-5	13122-Z240110-00A0	Clip, Piston Pin	2	1	
E04-6	13121-Z240110-00A0	Pin, Piston	1	1	
E04-7	13010-Z2P0112-00A0	Rod, Connecting	1	1	
E04-8	13111-Z3E0211-08A0	Piston	1	1	
E04-9	13200-Z3E0110-00A0	Ring Assy, Piston	1	1	

## FIG.5 STARTER, RECOIL (E05)



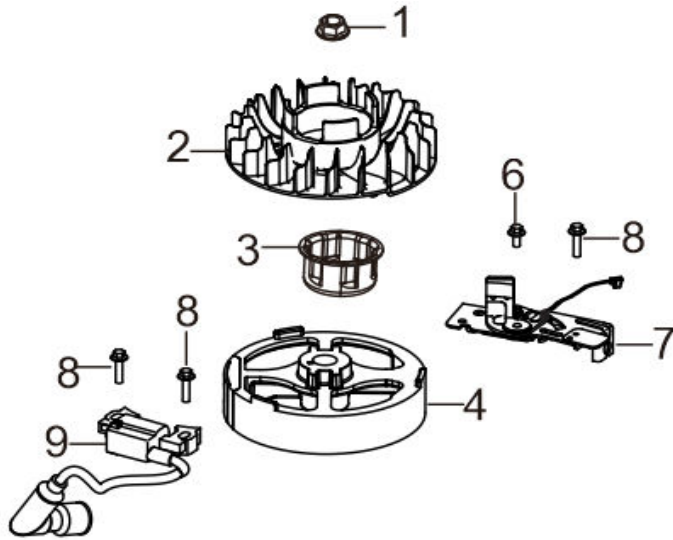
REF.NO. 序号	PART NO 物料代码	DESCRIPTION 英文名	Q'TY 数量	包装数	备注
E05-1	90124-Z2P0210-01A0	Self-Tapping Screw	3	1	
E05-2	80082-Z2P0410-Q2A0	Engine Housing Body	1	1	
E05-3	28200-Z2P1210-Q2A0	Starter Assy, Recoil	1	1	
E05-4	90007-0520-A1A0	Hexagon Socket Flange Face Bolt - Big Series - Grade B	2	1	
E05-5	90007-0535-A1A0	Hexagon Socket Flange Face Bolt - Big Series - Grade B	1	1	
E05-6	90007-0525-A1A0	Hexagon Socket Flange Face Bolt - Big Series - Grade B	1	1	
E05-7	80075-Z2P0810-WM00	Coping, Engine Couter Cover	1	1	
E05-8	19309-Z2P0110-00A0	Body Right Shield	1	1	

## FIG.6 CARBURETOR ASSY (E06)



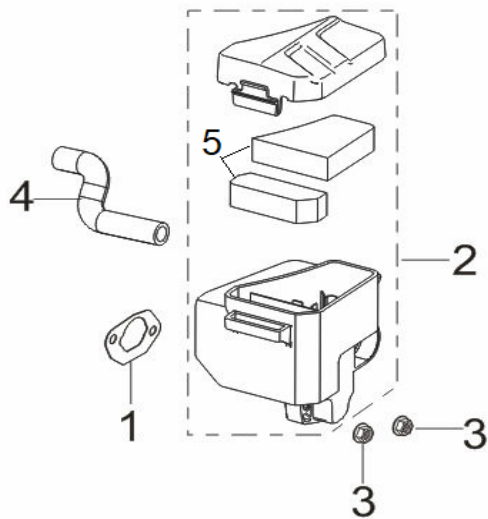
REF.NO. 序号	PART NO 物料代码	DESCRIPTION 英文名	Q'TY 数量	包装数	备注
E06-1	90204-Z010210-01A0	Stud Bolt	2	1	
E06-2	17002-Z2P0110-00A0	Gasket, Inlet	1	1	
E06-3	16003-Z2P0110-00A0	Plate, Carburetor Insulator	1	1	
E06-4	16004-Z2P0110-00A0	Gasket, Insulator Plate	1	1	
E06-5	16100-Z3E0410-00M0	Carburetor Assy.	1	1	
E06-6	90685-1000-01A0	Pipe Clamp	1	1	
E06-7	90686-Z2P0810-00M0	Tube, Fuel	1	1	
E06-8	90685-0700-01A0	Pipe Clamp	2	1	
E06-9	16211-Z2P0310-00A0	Tube, Starting Riched Valve	1	1	
E06-11	16210-Z2P0110-00A0	Valve, Starting Riched	1	1	

### FIG.7 FLYWHEEL / IMPELLER / STARTER PULLEY / IGNITION COIL (E07)



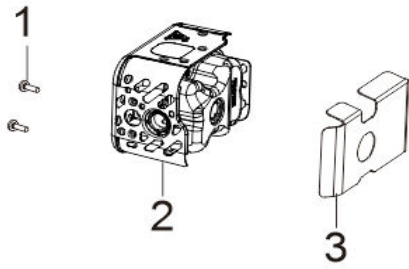
REF.NO. 序号	PART NO 物料代码	DESCRIPTION 英文名	Q'TY 数量	包装数	备注
E10-1	13501-Z010110-00A0	Nut, Flywheel	1	1	
E10-2	19352-Z2P0610-00A0	Impeller	1	1	
E10-3	28002-Z2P0310-01A0	Pulley, Starter	1	1	
E10-4	13510-Z2P0611-00A0	Flywheel Subassembly	1	1	
E10-5	30029-Z2P0110-00A0	Lug, Shroud	1	1	
E10-6	90007-0514-A1A0	Bolt	1	1	
E10-7	45200-Z2P0413-00A1	Brake Assy.	1	1	
E10-8	90007-0525-A1A0	Bolt	2	1	
E10-9	30400-Z2P0110-00A0	Coil, Ignition	1	1	
E10-10	90007-0520-A1A0	Bolt	1	1	

### FIG.8 CLEANER, AIR (F01)



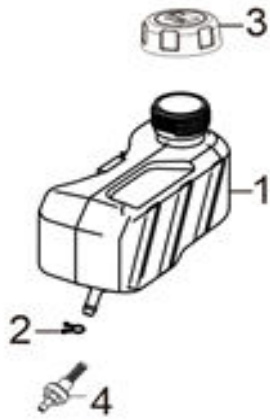
REF.NO. 序号	PART NO 物料代码	DESCRIPTION 英文名	Q'TY 数量	包装数	备注
F01-1	17001-Z2P0110-00A0	Air Cleaner Seal Gasket	1	1	
F01-2	17100-Z2P0810-00A0	Air Cleaner	1	1	
F01-3	90305-0600-31A0	Hexagon Nut With Flange	2	1	
F01-4	17004-Z2P0610-00A0	Tube, Breather	1	1	
F01-5	FA8-E-250018	Air Cleaner 17100-Z2P0810-00A0	1	1	

### FIG.13 MUFFLER ASSY. (F02)



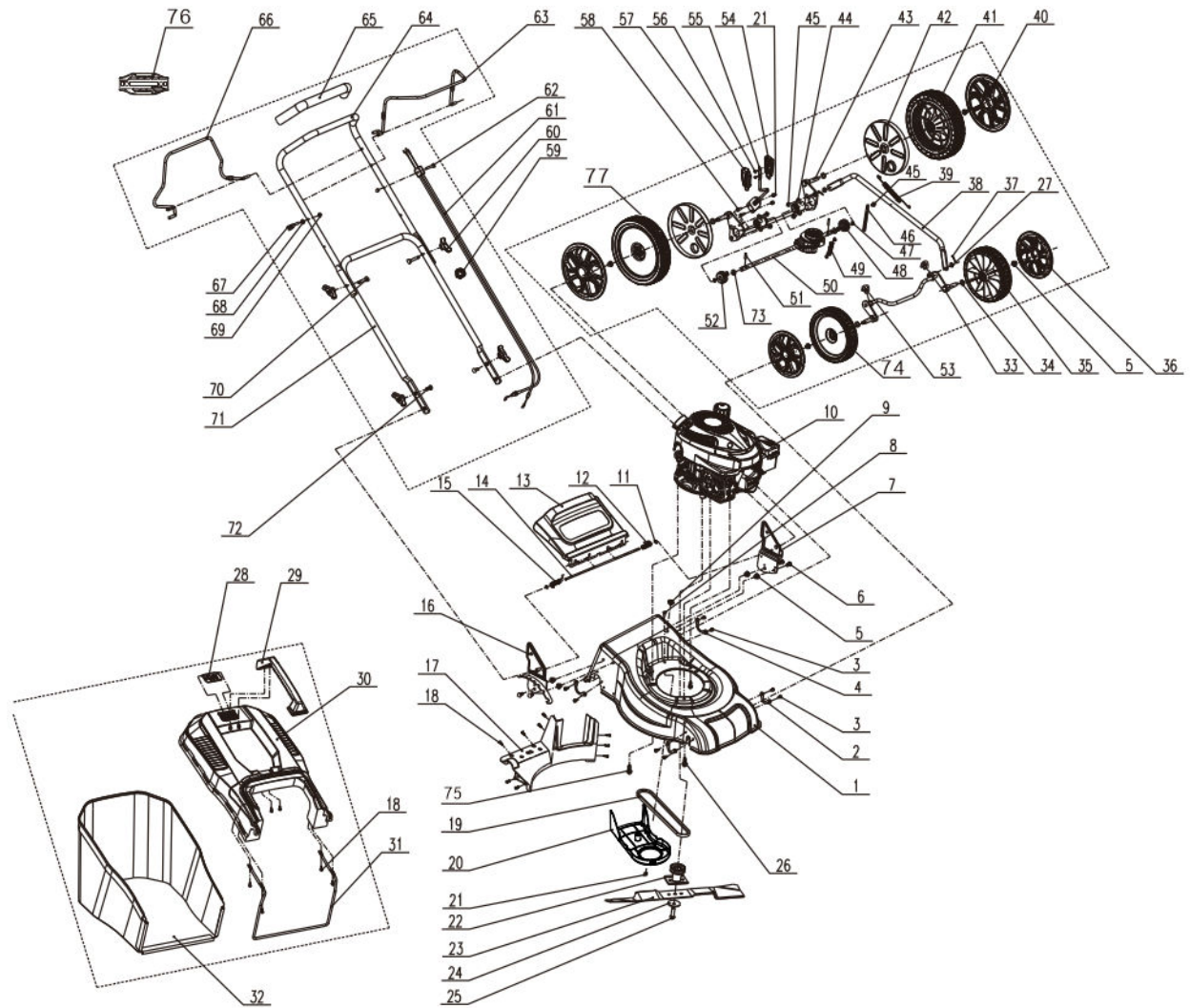
REF.NO. 序号	PART NO 物料代码	DESCRIPTION 英文名	Q'TY 数量	包装数	备注
F02-1	90001-0616-01A0	Hexagon Socket Flange Face Bolt - Small Series	2	1	
F02-2	18100-Z2P1711-00A0	Muffler Assy.	1	1	
F02-3	18020-Z2P0112-00A0	Plate, Muffler Insulator	1	1	

### FIG.14 TANK ASSY, FUEL (F03)



REF.NO. 序号	PART NO 物料代码	DESCRIPTION 英文名	Q'TY 数量	包装数	备注
F03-1	16600-Z2P0210-Q2A0	Tank Assy, Fuel	1	1	
F03-2	90685-1000-01A0	Pipe Clamp	1	1	
F03-3	16730-Z250210-00A0	Cover, Fuel Tank	1	1	
F03-4	16652-Z030110-00A0	Strainer, Fuel	1	1	

**FIG.15 (F04)**



REF.NO. 序号	PART NO 物料代码	DESCRIPTION 英文名	Q'TY 数量	包装数	备注
F04-1	75001-G060110-WK00	Deck	1	1	
F04-2	44033-G060110-00A0	Front Axle Plank	2	1	
F04-3	90027-0612-56	Hexagon Head Self-Extrusion Screw	8	1	
F04-4	42005-G030110-00A0	Rear Axle Plank	2	1	
F04-5	90308-0800-31A0	Type 2 Non-Metallic Insert Hexagon Lock Nut With Flange	4	1	
F04-6	90028-0816-01	Grade B Small Half Round Head Low Square Neck Bolts	4	1	
F04-7	79236HG060110-H7A0	Left Handle Support	1	1	
F04-8	90028-0616-01	Grade B Small Half Round Head Low Square Neck Bolts	1	1	
F04-9	90737-G030110-Q2A0	Cable Sheath	1	1	
F04-10	RV125MS00G8U-FIA02	Engine	1	1	
F04-11	90575-0500-0601	Split Washer	2	1	
F04-12	79258-G020110-00A0	Rear Deflector Spring	1	1	
F04-13	79257-G020110-WM00	Rear Deflector	1	1	
F04-14	79259-G020110-00A0	Rear Deflector Plank	1	1	
F04-15	79258-G020210-00A0	Rear Deflector Spring	1	1	
F04-16	79237HG060110-H7A0	Right Handle Support	1	1	
F04-17	79239-G060110-00A0	Rear Air Path	1	1	
F04-18	90120-5016-03	Hybrid Cross Recessed Pan Head Tapping Screws	15	1	
F04-19	90566-1066-0001	V Adapter	1	1	
F04-20	79265-G060110-00A0	Belt Cover	1	1	
F04-21	90308-0600-31	Type 2 Non-Metallic Insert Hexagon Lock Nut With Flange	2	1	
F04-22	73002-G080110-00A0	Blade Adapter	1	1	
F04-23	73101-G060110-00A0	Blade	1	1	
F04-24	90419-G030110-0000	Disc Washer	1	1	
F04-25	90007-Z2P0310-00A0	Hexagon Socket Flange Face Bolt - Big Series - Grade B	1	1	
F04-26	90039-0825-0101	Bolt	1	1	
F04-27	90408-0800-E108	Flat Washer - Grade A	2	1	
F04-28	79254-G030110-Q2A0	Straw Box Indicating Door	1	1	
F04-29	79253-G020110-Q2A0	Straw Box Handle	1	1	
F04-30	79252-G020110-WM00	Straw Box Upper Cover	1	1	
F04-31	79255-G020110-H6A0	Straw Box Support	1	1	
F04-32	79256-G020110-00AC	Straw Box Lower Bag	1	1	

REF.NO. 序号	PART NO 物料代码	DESCRIPTION 英文名	Q'TY 数量	包装数	备注
F04-33	44020HG060110-0000	Shaft, Front Wheel	1	1	
F04-34	90405-G130110-0000	Wave Elastic Washer	4	1	
F04-35	40206-G420610-Q2A0	Push Wheel	1	1	
F04-36	40207-G420310-WM00	Wheel Cover	2	1	
F04-37	90501-0220-0108	Cotter Pin	2	1	
F04-38	79262-G060110-H7A0	Cutting Height Lever	1	1	
F04-39	79263-G030111-00A0	Cutting Height Spring	1	1	
F04-40	40207-G420210-WM00	Wheel Cover	2	1	
F04-41	40205-G420410-Q2A0	Wheel, Transportion	1	1	
F04-42	40204-G060110-00A0	Dust Wheel Cover	2	1	
F04-43	42002HG060110-0000	Shaft, Rear Wheel	1	1	
F04-44	51179-G060110-00A0	Shaft Sleeve	2	1	
F04-45	90001-0610-01A0	Hexagon Socket Flange Face Bolt - Small Series	4	1	
F04-46	90684-Z030120-00A0	Wire Clip	1	1	
F04-47	90573-1200-06	Circlip For Shaft - Type A	4	1	
F04-48	40202-G030110-00A0	Gear Pinion	1	1	
F04-49	79266-G030110-00A0	Extension Spring	1	1	
F04-50	24300-G060110-00A0	Retarder Part	1	1	
F04-51	40203-G030110-00A0	Gear Pinion Pin	2	1	
F04-52	40202-G030210-00A0	Gear Pinion	1	1	
F04-53	79279-G060110-00A0	Axle Embracing Hoop	2	1	
F04-54	79261-G030210-Q2A0	Cutting Height Lever Sleeve	1	1	
F04-55	79275HG020110-00A0	Cutting Height Lever	1	1	
F04-56	90107-4295-01A0	Cross-Recessed Pan Head Self-Tapping Screw	2	1	
F04-57	79261-G030110-Q2A0	Cutting Height Lever Sleeve	1	1	
F04-58	90005-0616-01A0	Hexagonal Head Bolt - Full Thread	2	1	
F04-59	90684-U070111-0000	Wire Clip	1	1	
F04-60	79226-G080110-Q2A0	Fast Screw	4	1	
F04-61	79230-G060110-00A0	Brake Cable	1	1	
F04-62	90211-G080110-00A0	Cross Recessed Shaped Bolts	1	1	
F04-63	79224-G420110-H7A0	Brake Lever	1	1	
F04-64	79223-G080110-H7A0	Upper Handle	1	1	
F04-65	54101-G030110-Q2B0	Sleeve, Handle Rubber	1	1	
F04-66	79225-G420110-H7A0	Drive Lever	1	1	
F04-67	79278-G080110-00A0	Bent Rope Bolt	1	1	
F04-68	90305-0600-3108	Hexagon Nut With Flange	1	1	
F04-69	90314-0600-31	Acorn Hexagon Nuts	2	1	
F04-70	90031-G080110-0000	Special-Shaped Bolts	2	1	
F04-71	79231-G100110-H7A0	Inferior Handle	1	1	
F04-72	90029-G080210-00A0	Half Round Head Square Neck Bolt	2	1	
F04-73	90412-YBW0210-01A0	Flat Washer	2	1	
F04-74	40206-G420510-Q2A0	Push Wheel	1	1	
F04-75	90039-0825-0101	Bolt	2	1	
F04-76	79441-G420110-Q2A0	#N/D	1	1	
F04-77	40205-G420310-Q2A0	Wheel, Transportion	1	1	